



40PC150G2A



Actual product appearance may vary.

Pressure Sensors: Measurement Type: Gage; Signal Conditioning: Amplified; Pressure Range: 0 psi to 150 psi; Port Style: Straight O-ring interface

Features

- Smallest amplified sensor package
- Minimal PCB space
- Fully signal conditioned
- Operating temperature range from -45 °C to 125 °C [-49 °F to 257 °F]
- Silicon piezoresistive technology
- Monolithic design
- 6 Pin DIP package
- Port designed for O-ring interface

Potential Applications

Medical

- Oxygen and nitrogen gas distribution in hospitals
- Dental chairs
- CPAP (Continuous Positive Airway Pressure) equipment
- Respirators and ventilators
- Blood glucose monitors
- Oxygen conservers
- Oxygen concentrators
- Nebulizers
- Kidney dialysis machines
- Blood cell separators
- Hospital beds

Environmental

- Water control valves
- Instrumentation
- Irrigation equipment
- Filter monitoring equipment

Industrial Instrumentation

- Robotics
- Pressure valves
- Leak detection
- Air compressors

Analytical Instrumentation

- Gas chromatography
- Chemical Analyzers

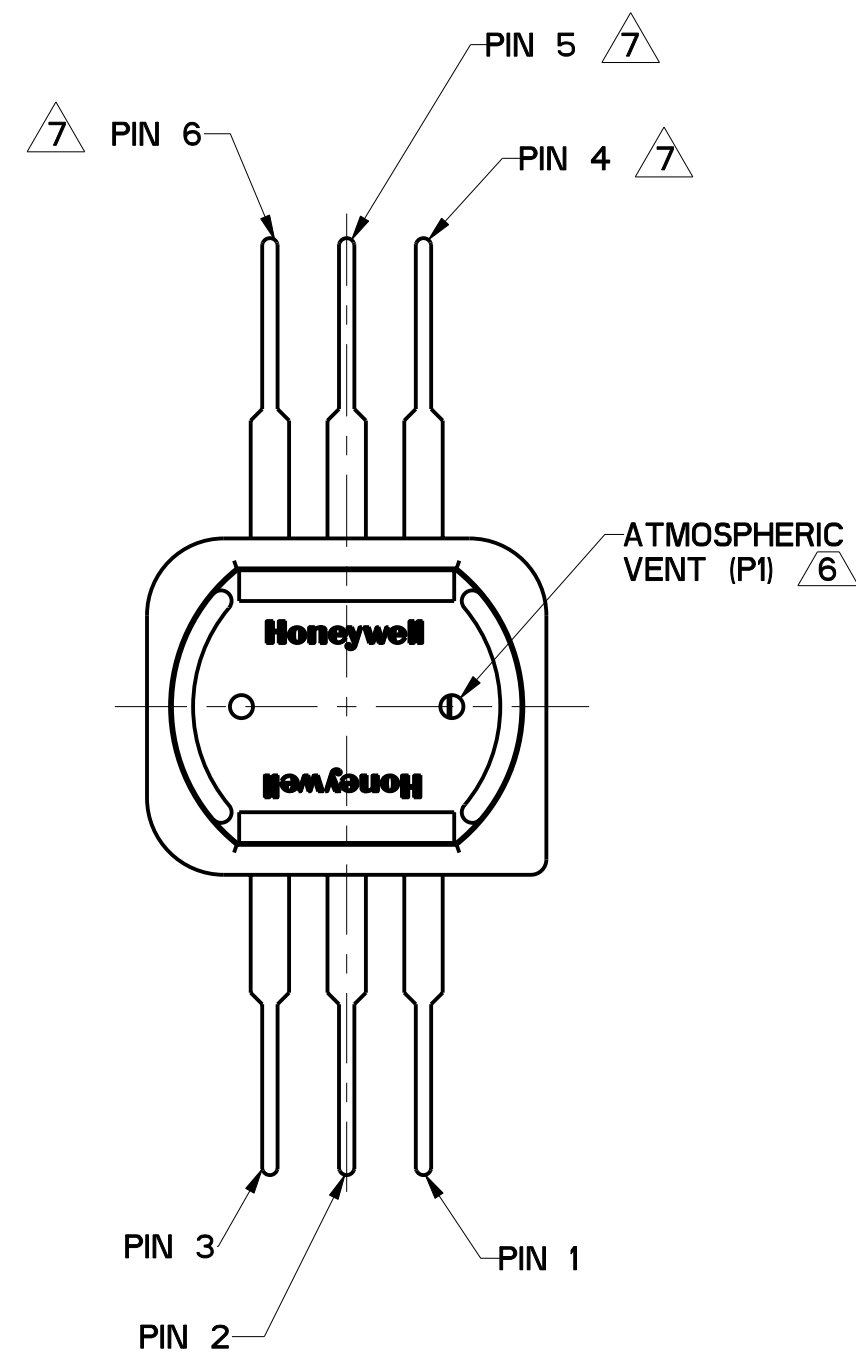
Transportation

- Electronic brake systems
- Engine oil level
- Transmission fluid level
- Air conditioning system
- Fuel injection systems

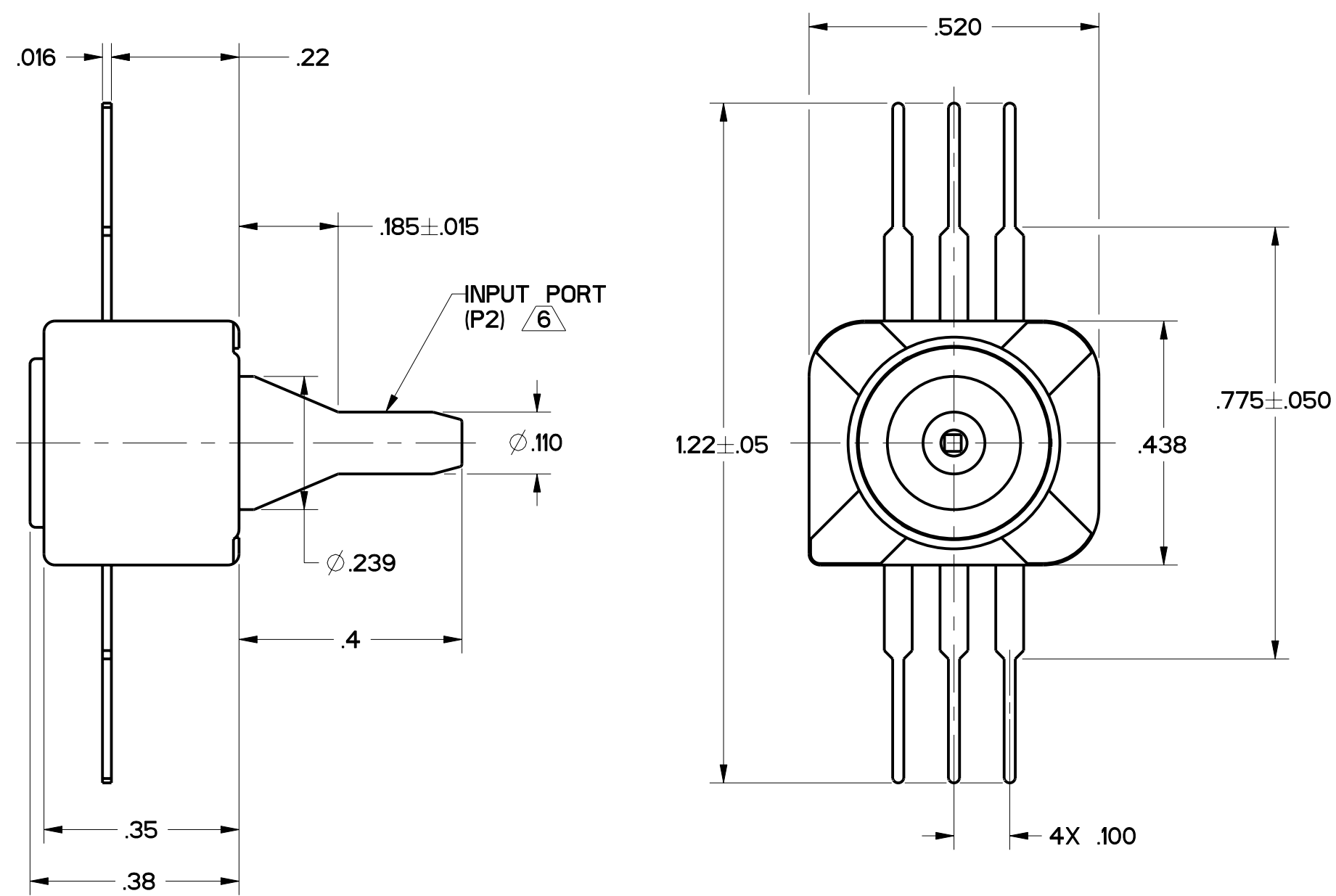
Description

The cost-effective 40PC Series miniature pressure sensor is the smallest amplified pressure sensor manufactured by Honeywell. The fully calibrated and temperature-compensated sensor is very robust, covering a wide range of temperature extremes. Additionally, the 40PC Series is compatible with a broad array of media, from dry air and water to refrigerant coolants and engine fuel. The 0.5 Vdc to 4.5 Vdc analog output voltage signal is linearly proportional to input pressure. These devices operate on a single end supply voltage of 5.0 Vdc.

Product Specifications	
Measurement Type	Gage
Signal Conditioning	Amplified
Pressure Range	0 psi to 150 psi
Maximum Overpressure	300 psi
Supply Voltage	5.0 Vdc \pm 0.25 Vdc
Compensated	Yes
Output Calibration	Yes
Response Time	1 ms max.
Termination	PCB; Leads formed away from port
Port Style	Straight for O-ring interface
Package Style	Honeywell - Monolithic
Linearity	0.10% span max.
Typical Sensitivity	26.6 mV/psi
Full Scale Span	4.0 Vdc typ.
Null Offset	0.50 Vdc typ.
Repeatability & Hysteresis Error	\pm 0.15 % span typ.
Shock	Qualification tested to 150 g
Vibration	MIL-STD-202 Method 213 (150 g half sine 11 ms)
Operating Temperature Range	-45 °C to 125 °C [-49 °F to 257 °F]
Compensated Temperature Range	-45 °C to 125 °C [-49 °F to 257 °F]
Storage Temperature Range	-55 °C to 125 °C [-67 °F to 257 °F]
Media Compatibility	Port 1: Dry gases only. Media must be compatible with epoxy-based adhesive. Port 2: Wetted materials. Media must be compatible with glass, silicon, stainless steel, invar, Sn/Ni plating and Sn/Ag solder.
UNSPSC Code	411121
UNSPSC Commodity	411121 Transducers
Availability	Global
Series Name	40PC



LEAD PIN OUT		
Vout	GND	Vs
3	2	1



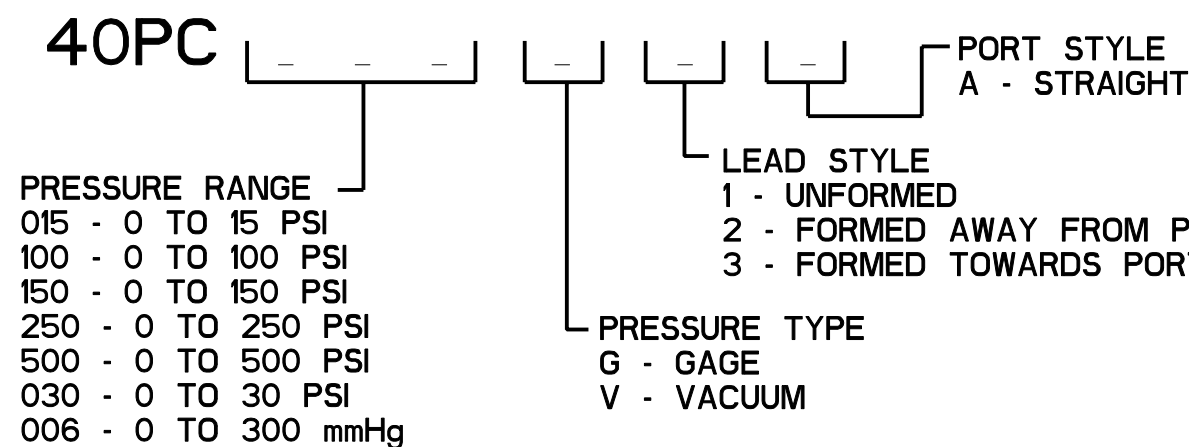
LEAD STYLE 1

GENERAL CHARACTERISTICS

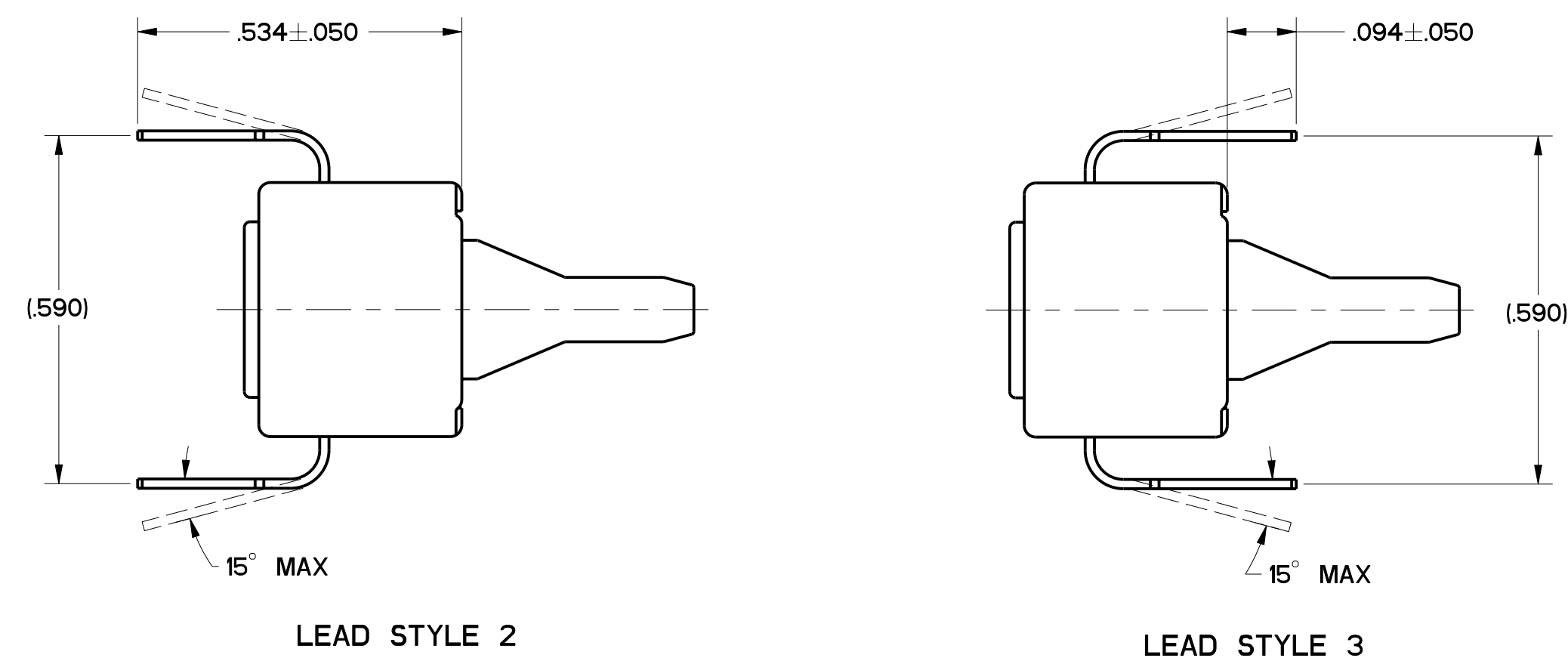
PRESSURE RANGE	SEE CHART
OVERPRESSURE	SEE CHART
TEMPERATURE RANGES	
STORAGE	-55° TO +125° C
OPERATING	-45° TO +125° C
SUPPLY VOLTAGE	5.0 Vdc (NOM) ±.25 Vdc
SUPPLY CURRENT	10mA MAX
SHORT CIRCUIT LIMIT	4
OUTPUT SOURCE CURRENT	0.5 mA MAX
OUTPUT SINK CURRENT	10 mA MAX
OUTPUT CAPACITANCE	0.01µ F MAX
DRIVE CAPABILITY	
RATIOMETRICITY	±0.25% SPAN TYP
OUTPUT PERFORMANCE AT 25°C AND 5.00±.01 VDC SUPPLY UNLESS NOTED	
NULL (0 PSIG)	SEE CHART
FULL SCALE	4500 Vdc TYP
SPAN	SEE CHART
SENSITIVITY	SEE CHART
HYSTERESIS & REPEATABILITY	0.15% SPAN TYP
TEMPERATURE ERROR / 1	0 TO -15 PSI
NULL SHIFT	0 TO 15 PSI
25° TO -18° C	0 TO 30 PSI
25° TO +63° C	0 TO 100 PSI
25° TO +45° C	0 TO 150 PSI
25° TO +85° C	0 TO 250 PSI
25° TO +125° C	0 TO 500 PSI / 8
SPAN SHIFT	0 TO 300 mmHg
25° TO -18° C	
25° TO +63° C	
25° TO +45° C	
25° TO +85° C	
25° TO +125° C	
COMBINED NULL AND SPAN SHIFT	
25° TO -18° C	
25° TO +63° C	
25° TO +45° C	
25° TO +85° C	
25° TO +125° C	
LINEARITY (B.F.S.L)	
ACCURACY (25C) RSS / 2	
TOTAL ACCURACY / 3	
-45 TO 85° C	
-45 TO 125° C / 5	

NOTES

- 1 TEMPERATURE ERROR IS THE MAXIMUM DEVIATION FROM 25° PERFORMANCE OVER THE ENTIRE TEMPERATURE RANGE SHOWN
- 2 ACCURACY IS DEFINED AS THE 25C, RSS ERRORS FOR LINEARITY, HYSTERESIS AND REPEATABILITY
- 3 TOTAL ACCURACY IS THE MAXIMUM DEVIATION FROM THE 25C REFERENCE TRANSFER FUNCTION AT ANY PRESSURE OR TEMPERATURE OVER THE SPECIFIED RANGES
- 4 OUTPUT CAN BE SHORTED TO THE POSITIVE TERMINAL OR THE GROUND TERMINAL
- 5 PRODUCT 100% TESTED AT THE -45 TO +85° C RANGE ONLY
- 6 INPUT MEDIA:
 - P1 - DRY GASES ONLY: MEDIA MUST BE COMPATIBLE WITH EPOXY BASED ADHESIVE
 - P2 - MEDIA MUST BE COMPATIBLE WITH GLASS, SILICON, STAINLESS STEEL, INVAR, Sn/Ni PLATING OR Sn/Ag SOLDER
- 7 PINS 4, 5 OR 6 ARE INTERNAL DEVICE CONNECTIONS, DO NOT CONNECT TO EXTERNAL CIRCUITRY OR GROUND
- 8 PRODUCT TESTED AT 250 PSI



CATALOG LISTING	LEAD STYLE	PRESSURE RANGE	OVER-PRESSURE	SENSITIVITY	OUTPUT PERFORMANCE AT 25° C AND 5.00±.01 VDC SUPPLY	
					NULL (0 PSIG) VDC	SPAN VDC
40PC015G1A	1	0 TO 15 PSI	45 PSI	266.6 mV/PSI TYP	.500±.110	4.000±.110
40PC015G2A	2	0 TO 15 PSI	45 PSI	266.6 mV/PSI TYP	.500±.110	4.000±.110
40PC015G3A	3	0 TO 15 PSI	45 PSI	266.6 mV/PSI TYP	.500±.110	4.000±.110
40PC100G1A	1	0 TO 100 PSI	200 PSI	40.0 mV/PSI TYP	.500±.040	4.000±.090
40PC100G2A	2	0 TO 100 PSI	200 PSI	40.0 mV/PSI TYP	.500±.040	4.000±.090
40PC100G3A	3	0 TO 100 PSI	200 PSI	40.0 mV/PSI TYP	.500±.040	4.000±.090
40PC150G1A	1	0 TO 150 PSI	300 PSI	26.6 mV/PSI TYP	.500±.040	4.000±.070
40PC150G2A	2	0 TO 150 PSI	300 PSI	26.6 mV/PSI TYP	.500±.040	4.000±.070
40PC150G3A	3	0 TO 150 PSI	300 PSI	26.6 mV/PSI TYP	.500±.040	4.000±.070
40PC250G1A	1	0 TO 250 PSI	500 PSI	16.0 mV/PSI TYP	.500±.040	4.000±.070
40PC250G2A	2	0 TO 250 PSI	500 PSI	16.0 mV/PSI TYP	.500±.040	4.000±.070
40PC250G3A	3	0 TO 250 PSI	500 PSI	16.0 mV/PSI TYP	.500±.040	4.000±.070
40PC500G1A	1	0 TO 500 PSI	1000 PSI	8.0 mV/PSI TYP	.500±.040	4.000±.090
40PC500G2A	2	0 TO 500 PSI	1000 PSI	8.0 mV/PSI TYP	.500±.040	4.000±.090
40PC500G3A	3	0 TO 500 PSI	1000 PSI	8.0 mV/PSI TYP	.500±.040	4.000±.090
40PC015V1A	1	0 TO -15 PSI	30 PSI	266.6 mV/PSI TYP	.500±.040	4.0±1
40PC015V2A	2	0 TO -15 PSI	30 PSI	266.6 mV/PSI TYP	.500±.040	4.0±1
40PC015V3A	3	0 TO -15 PSI	30 PSI	266.6 mV/PSI TYP	.500±.040	4.0±1
40PC030G1A	1	0 TO 30 PSI	60 PSI	133.3 mV/PSI TYP	.500±.040	4.000±.080
40PC030G2A	2	0 TO 30 PSI	60 PSI	133.3 mV/PSI TYP	.500±.040	4.000±.080
40PC030G3A	3	0 TO 30 PSI	60 PSI	133.3 mV/PSI TYP	.500±.040	4.000±.080
40PC006G1A	1	0 TO 300 mmHg	650 mmHg	13.33 mV/mmHg	.500±.050	4.000±.050
40PC006G2A	2	0 TO 300 mmHg	650 mmHg	13.33 mV/mmHg	.500±.050	4.000±.050
40PC006G3A	3	0 TO 300 mmHg	650 mmHg	13.33 mV/mmHg	.500±.050	4.000±.050



LEAD STYLE 2

LEAD STYLE 3

CAUTION
ELECTROSTATIC SENSITIVE DEVICES
DO NOT OPEN OR HANDLE EXCEPT AT A STATIC FREE WORKSTATION

ESD SENSITIVITY: CLASS 1

THIRD ANGLE PROJECTION

SCALE 4:1

DO NOT SCALE PRINT

UNLESS OTHERWISE SPECIFIED TOLERANCES ARE

ONE PLACE (.0) ±.030
TWO PLACE (.00) ±.015
THREE PLACE (.000) ±.005
ANGLES °

WEIGHT

PTC/CAD
 DRAWN
 SAV 17 DEC 98
 CHECKED
 JAF 7 DEC 98
 RELEASE NO. PR-22691
 REFERENCES X102329-PC
 40PC SERIES CHART 1
 DRAWING NUMBER
 20
 ISSUE
 1 OF 1
 CHECKED
 PR-22691
 RELEASE NO. PR-22691
 REFERENCES X102329-PC
 40PC SERIES CHART 1
 DRAWING NUMBER
 20
 ISSUE
 1 OF 1
 CHECKED
 PR-22691
 RELEASE NO. PR-22691
 REFERENCES X102329-PC